



DZG Metering GmbH

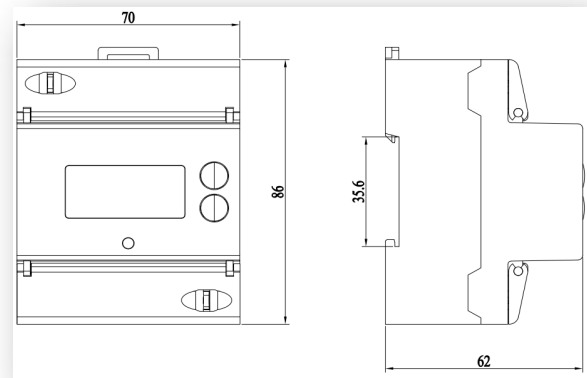
DWH4113.2

Three Phase Four Wire DIN Rail Meter

Main Features :

- Active And Net Energy Measurement
- Single Or Bidirectional Energy Directions Configurable
- 4TE Wide
- Modbus Interface
- Suitable For AC E-mobility Charging Stations & Any Sub-billing Applications
- MID & IEC Certificates

Overall dimensions(mm)



ONTOP

ONTOP ELECTRONIC CO.,LTD TEL:886-2-28382606, FAX:886-2-28382604 e-Mail: sales@sac-ontop.com.tw
Add: 2F-2 No.161 SEC. 6, Zhong Shang North Rd. Taipei, Taiwan 111 www.sac-ontop.com.tw

Specification DWH4113.2



DZG Metering GmbH

Type Three Phase Four Wire DIN Rail Meter

Standards EN 50470-1, EN 50470-3, IEC 62052-11, IEC 62053-21

Voltage

Rated voltage U_n 3x230/400V

Voltage range 80% U_n ~115% U_n

Current

Minimum current I_{min} 0.25A

Reference current I_b 5A

Maximum current I_{max} 65A

Starting current I_{st} 0.4% I_b

Rated Frequency f_n 50/60Hz

Accuracy Class B/1.0 for active

Pulsating Indicator LED

Pulsating (meter constant) 1000imp/kWh

Environment

Temperature range Operation: -30~70°C

Storage: -40~85°C

Protection Degree IP 51 in protective enclosure

Insulation Class II

Typical Power Consumption

Voltage circuit active/apparent power at U_n <2W/10VA

Current circuit apparent power at I_b <4VA

LCD Display 7 digits with configurable decimal place, backlight supported

Communication Interface RS485 with screw type, maximum upto 38400bps

Communication Protocol Modbus protocol

Weight Of Meter About 0.3kg

Dimension(LxWxD) 86 x 70 x 62mm